

# **SONICA**<sup>®</sup> ***STREAM PULSE***

**Ultrasonic cannulae cleaning 48 Litres**

Complex Surgical Instrument Reprocessing  
with high pressure SONIC IRRIGATION



# SONICA® *STREAM PULSE*

**SONICA Stream Pulse** is a new Ultrasonic Cleaner designed for external and internal cleaning of **MIS (Minimally Invasive Surgery)** and standard instruments.



Ultrasonic waves modulated onto a controlled fluid jet ensure thorough cleaning of both the interior and exterior of surgical instruments, making ultrasonic technology and high pressure sonic and fluid irrigation vital for complex lumen and cannulated tools.

The system has a double pulsed action on the instruments: it takes off the organic residues from the inner side by the ultrasonic cavitation and it eliminates them by a forced fluid irrigation of the cavity.

The **SONICA Stream Pulse** features a modern, user-friendly control panel managed by a microprocessor.

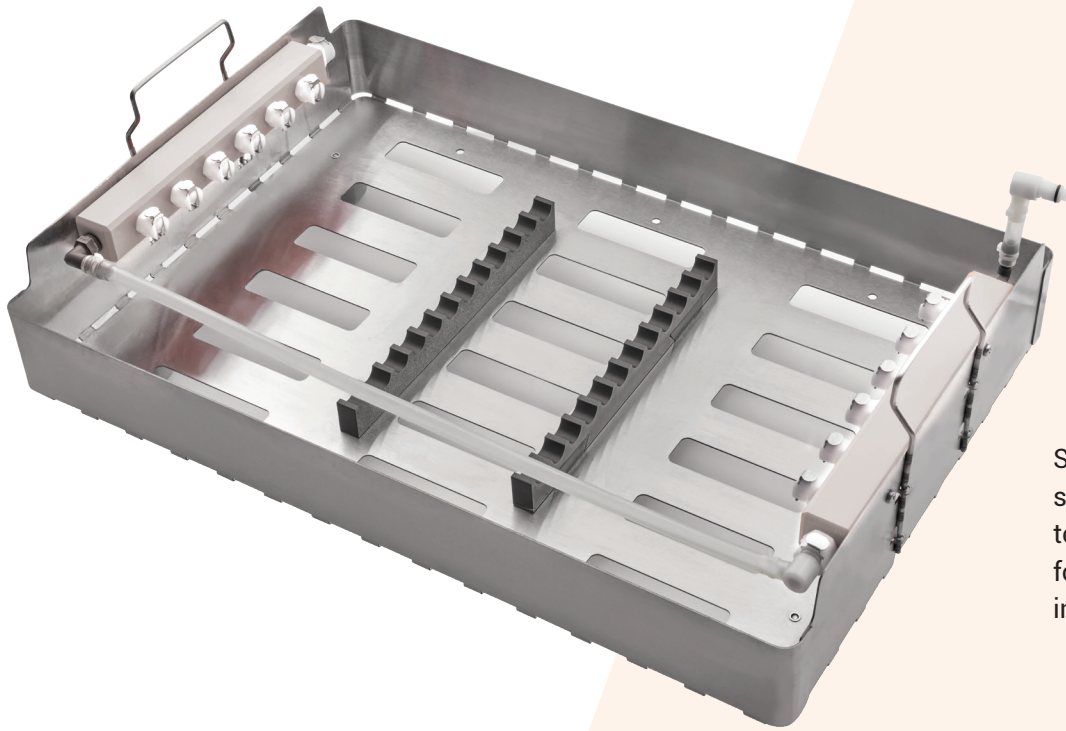
This innovative medical device enables the cleaning of traditional surgical instruments using ultrasonic energy, hollow instruments for minimally invasive surgery through a pulsed high-pressure irrigation program, and endoscopes or cavitation-sensitive instruments with a specialized non-ultrasonic washing mode.

**SONICA Stream Pulse** Ultrasonic Cleaner is equipped with an efficient drain pump controlled directly from the control panel display ensuring easy and efficient tank drainage. The control panel allows you to manage the water filling of the tank through a specific connection to the water supply.

The tank is made of AISI 304 stainless steel and features a diamond-shaped design for fast, efficient drainage of the cleaning liquid and easy maintenance.

**SONICA Stream Pulse** Ultrasonic Cleaner is available also in **flush-mountable version**



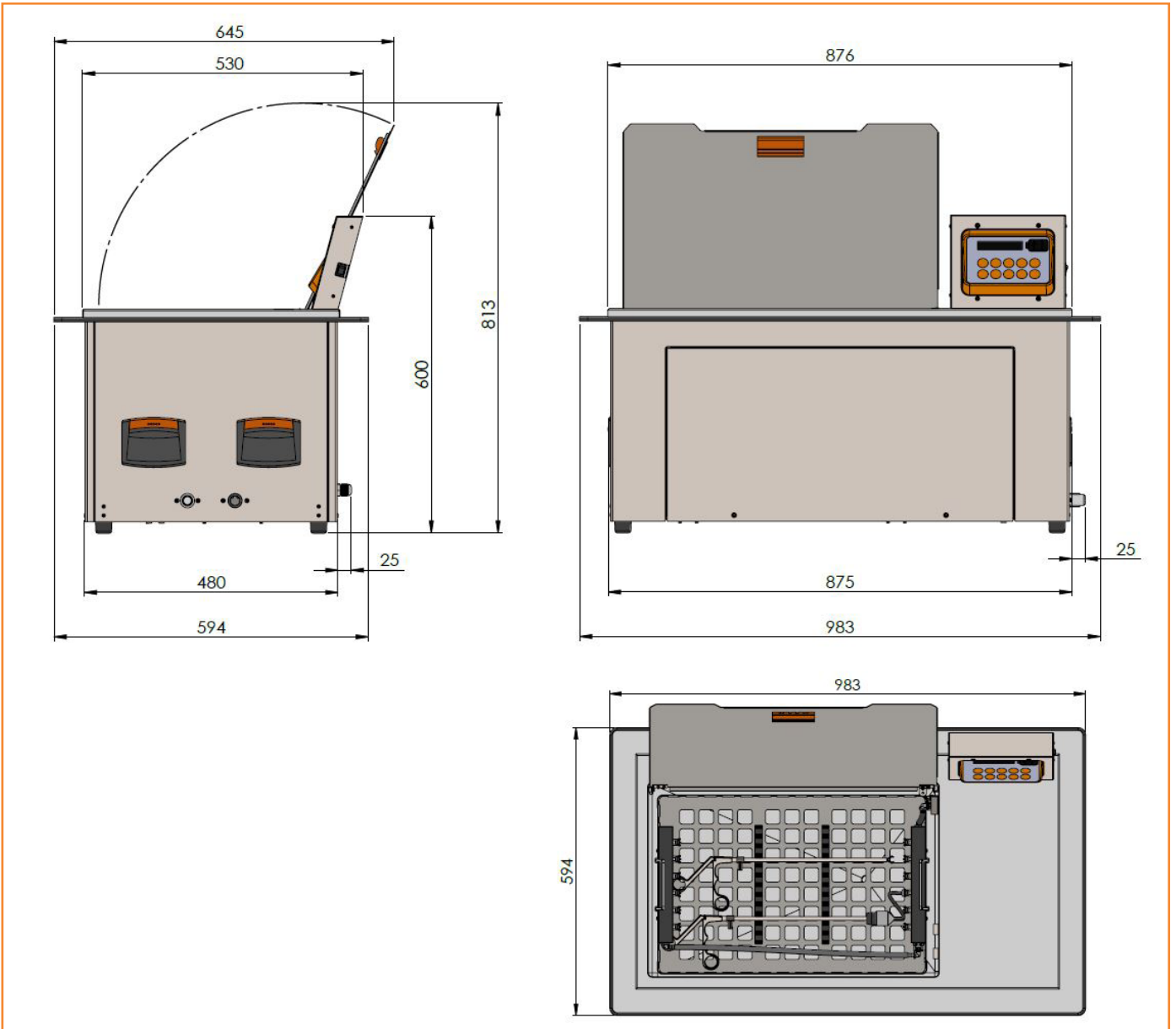


Special stainless steel basket up to 12 connectors for 12 cannulated instruments.

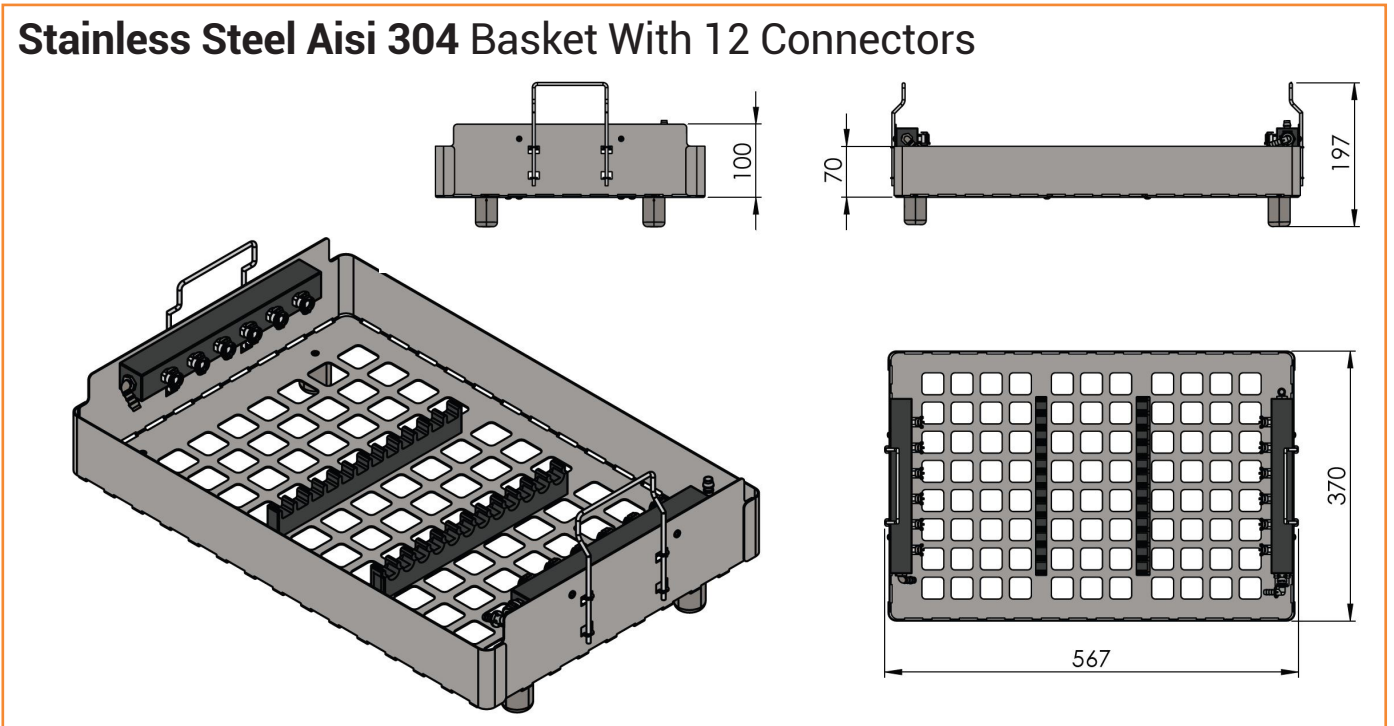
The ultrasonic washing machine is also equipped with four handles for easy positioning on the workbench.

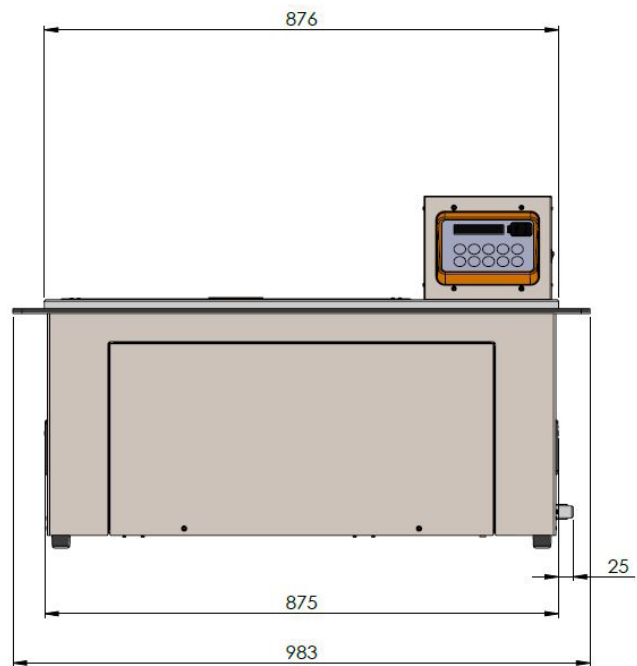
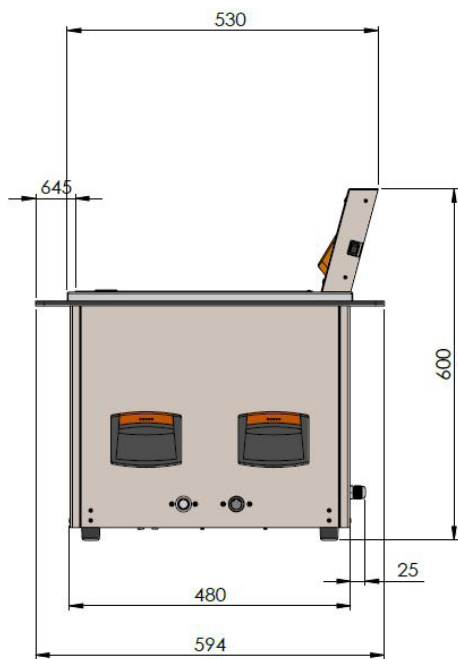


# SONICA STREAM PULSE benchtop dimensions [mm]



## Stainless Steel Aisi 304 Basket With 12 Connectors

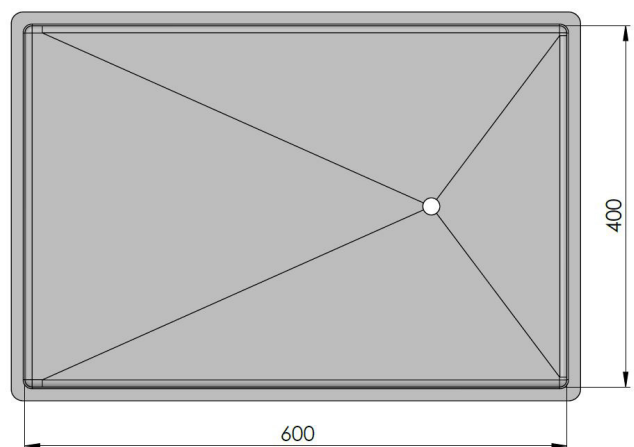




**Stainless Steel Aisi 304 Tank With Rounded Corners / Edges For Easy Cleaning / Dirt Removal**



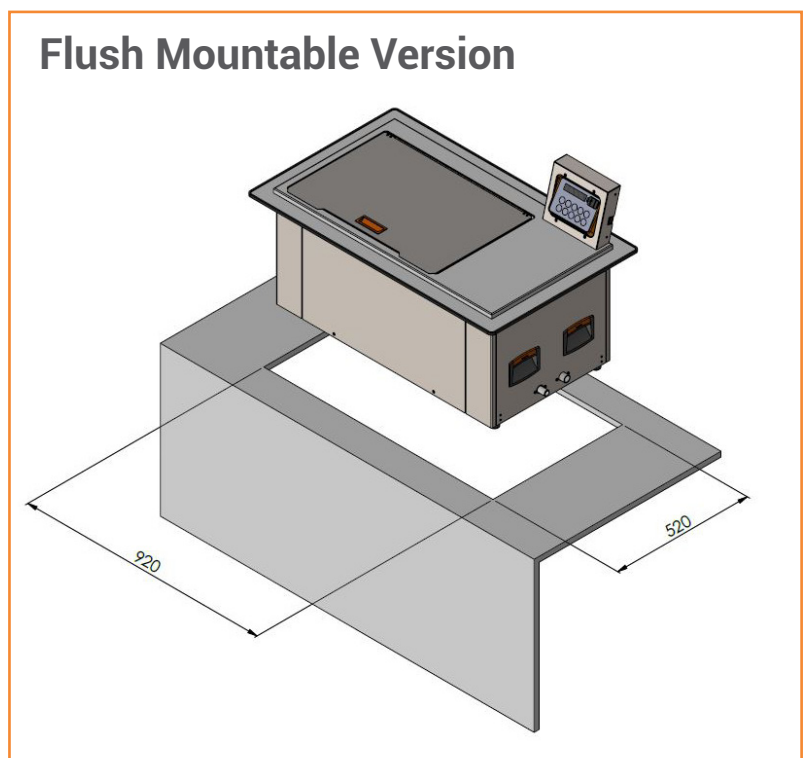
sloped-bottom tank  
for easy liquid discharge



interior dimensions

# Technical specifications

Benchtop Product code	090.045.0001
Reference code #REF	090.045.0001
Flush mountable version Product code	090.045.0002
Reference code #REF	090.045.0002
Internal tank dimensions l x w x d [mm]	600x400x200 ÷ 204mm
External Dimensions (benchtop model) l x w x d [mm]	920x528x600mm
External Dimensions (flush mountable version) l x w x d [mm]	972x583x600mm
Capacity [liters]	Total capacity 48 litres - Minimum operating Level 23 litres - Maximum operating Level 29 litres
Basket dimensions	567x370x197
Number of connectors	12 for connecting 12 cannulated instruments
Ultrasonic peak power [W]	2000
Ultrasonic nominal power [W]	500
Ultrasonic Frequency [kHz]	38-40 kHz with Sweep System Technology
Heating, liquid temperature controlled [W]	1000
High power pulse irrigation	YES
Temperature monitoring	YES
Liquid level sensor	YES
Water filling system	YES
Programs	10 different Ultrasonic cleaning programs - 3 endoscopic flushing programs - 5 Ultrasonic cannulae programs.
Traceability LOG	YES - USB port
Medical device	Class 1 MDR Regulation (EU) 2017/745



# RECOMMENDED SOLUTION FOR CLEANING MIS INSTRUMENTS WITH SONICA STREAM PULSE

## DOSES, METHODS, AND TIMES

Use	Dilution in water (%)	Dilution Example	Contact Time
Decontamination and simultaneous detergency of medical and surgical devices in ultrasonic baths	2%	20 ml of SONICA CL4% per 1 litre of tap water	15 minutes
Decontamination and simultaneous detergency of surfaces, sheling and equipment in operating theatres (surfaces, furnishings, beds, stretchers, etc.)	4%	40 ml of SONICA CL4% per 1 litre of tap water	20 minutes
Temporary sterile conservation of surgical instruments	4%	40 ml of SONICA CL4% per 1 litre of tap water	-----

**Note: for the complete and correct use of the product refer always to the Technical and Safety Datasheet**

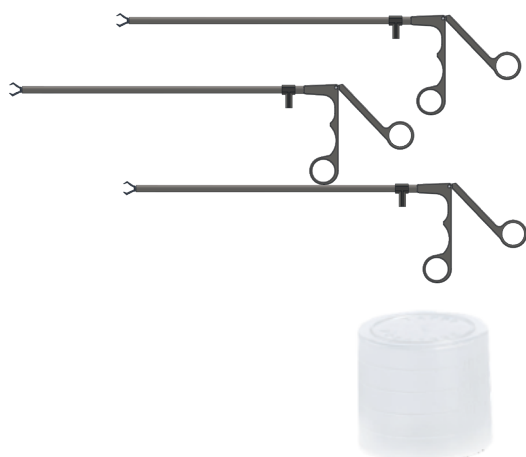
All information in this brochure is reserved for professional health sector workers.

# SONICA®

*Unique and effective!*

Specific detergent for decontamination and ultrasonic cleaning of surgical instruments

A **single product** that ensures quality and cleaning in order to be always safe.



## SONICA® CL 4% Medical Device CE 0425

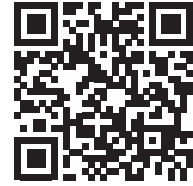
It is a concentrated solution with cleaning and disinfecting properties in 1 litre bottles.

The product can be diluted in tap water from a minimum of 2% to a maximum of 4%.

COD. 090.005.0017

## Uffici Commerciali Commercial Offices

SOLTEC S.r.l.  
Via G. Röntgen, 16 - 20136 Milano  
Tel. +39 0258308378 - Fax +39 0258308595  
[info@soltec.it](mailto:info@soltec.it)



Download  
our catalogues



Visit  
our e-shop

## Stabilimento di produzione Production plant

SOLTEC S.r.l.  
Via Castelbarco, 17 - 20136 Milano  
Tel. +39 0258324131 - Fax +39 0258308595

